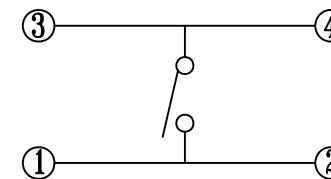
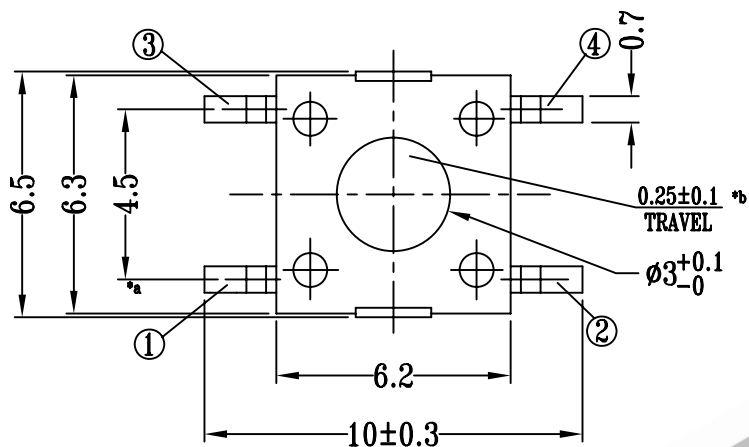
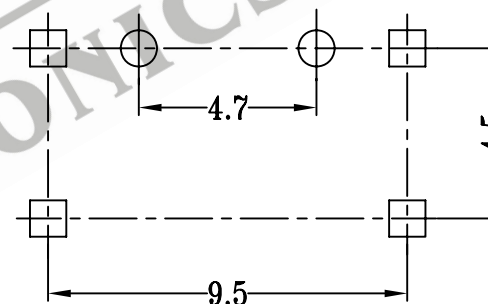
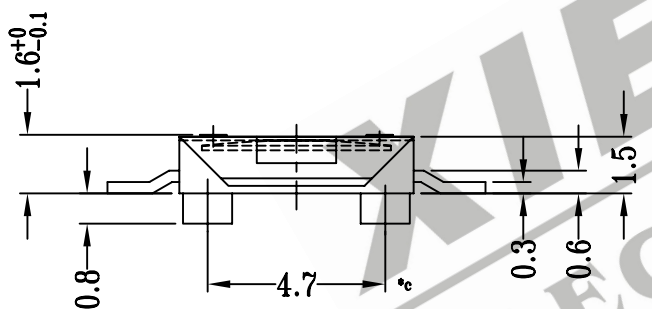


CAD FILE:



CIRCUIT DIAGRAM



P.C.B LAYOUT

OPERATING FORCE	CODE
100gf	T
130gf	V
160gf	X
170gf	W
190gf	Y
250gf	Z

注:带*表示关键尺寸(3个)

NO.	PARTS	MATERIALS	Q'TY	FINISH	TOLERANCE UNLESS SPECIFIED	SHENZHEN XIEJIA ELECTRONICS CO.,LTD.				
8					WITHIN: 1.5±0.1mm OVER: 1.5±0.2mm	ISSUE	DATE	DESCRIPTIONS OF REVISION		APPD.
7										
6										
5										
4	COVER	0.1mm SUS	1	WASHING	TITLE: TACT SWITCH MODEL: TD-01EA ALL MATERIALS MUST BE COMPLIANT TO ROHS	UNIT : mm SCALE: 1 : 1	DRWG NO.: XJ-DR-TD01EA-00			
3	CONTACT	SEE CONTACT CHART	1	Ag CLAD			DWN.	ZHOUYU	2001-8-2	
2	SEAL PLATE	PET	1	YELLOW			CHK'D	FANGYING	2001-8-2	
1	CASE	NYLON/9#BRASS STRIP	1	BLACK/Ag PLATED			APPD.	KANGXINAN	2001-8-2	